

San Ace 221W 9W2T type

Splash Proof Centrifugal Fan

■ Features

High Airflow

Maximum airflow achieves 19.6 m³/min.*

Water and Dust Resistant

This fan has an IP56 rated water and dust proof performance.** It ensures stable operation of the fans even in harsh environments.

Low Noise and High Energy Efficiency

The PWM control function enables the external control of fan speed, contributing to lower noise and higher energy efficiency of devices.

* The value is for the 9W2TP48P0S001 model.

** Ingress Protection (IP Code) rating is defined by International Electrotechnical Commission (IEC).

IP56 rating:

- Protection against a level of dust that could hinder operation or impair safety
- Protection against high pressure water jets



∅221×71 mm

■ Specifications

The following nos. **have PWM controls, pulse sensors.**

Model no.	Rated voltage [V]	Operating voltage range [V]	PWM duty cycle* [%]	Rated current [A]	Rated input [W]	Rated speed [min ⁻¹]	Max. airflow [m ³ /min] [CFM]	Max. static pressure [Pa] [inchHzO]	SPL [dB(A)]	Operating temperature [°C]	Expected life [h]
9W2TP24P0H001	24	16 to 36	100	3.35	80.4	3050	17.6 621	530 2.13	71.5	-25 to +70	40000/60°C (70000/40°C)
			15	0.4	9.6	1000	5.75 203	57.0 0.23	53.5		
9W2TP48P0S001	48	36 to 72	100	2.3	110.4	3400	19.6 692	659 2.65	73.5		
			15	0.2	9.6	1000	5.75 203	57.0 0.23	53.5		

* PWM frequency: 25 kHz. Fan does not rotate when PWM duty cycle is 0%.

When inlet nozzle [Option (Model: 109-1135H)] is mounted.

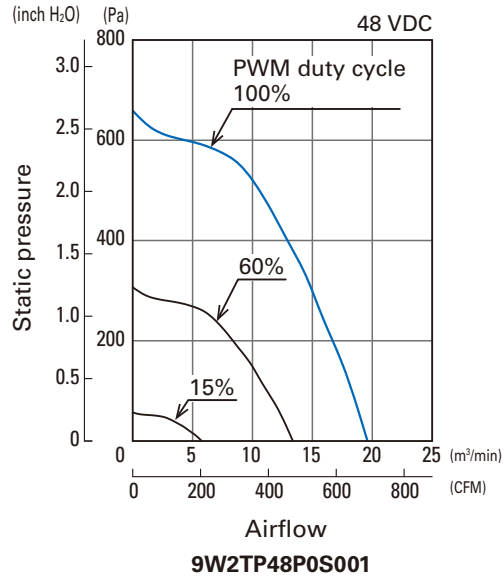
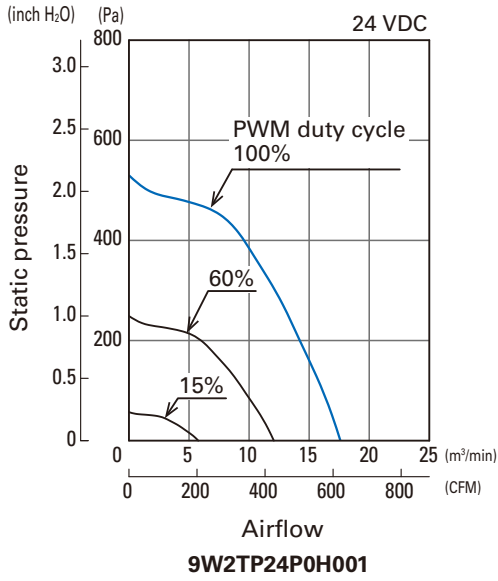
Max input of 9W2TP24P0H001: 150 W, 9W2TP48P0S001: 210 W at rated voltage.

■ Common Specifications

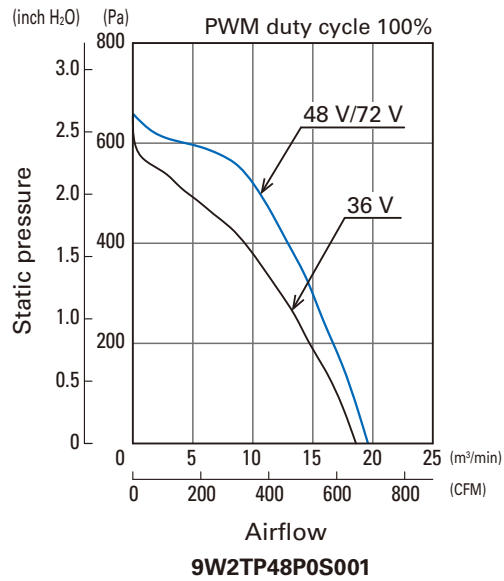
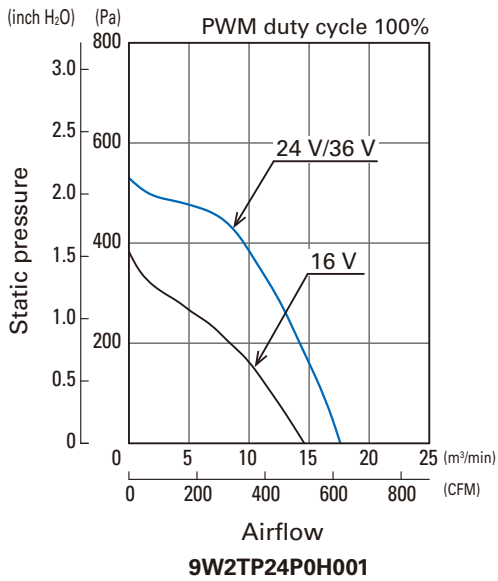
- Material Motor case: Aluminum (Black coating), Impeller: Plastics (Flammability: UL 94V-0)
- Expected life Refer to specifications
(L10: Survival rate: 90% at 60°C, rated voltage, and continuously run in a free air state)
Expected life at 40°C ambient is just reference value.
- Motor protection system Current blocking function and reverse polarity protection
- Dielectric strength 50/60 Hz, 500 VAC, 1 minute (between lead conductor and motor case)
- Sound pressure level (SPL) Expressed as the value at 1 m from air inlet side
- Operating temperature Refer to specifications (Non-condensing)
- Storage temperature -30 to +70°C (Non-condensing)
- Lead wire ⊕Red ⊖Black Sensor: Yellow Control: Brown
- Mass Approx. 1250 g

Airflow - Static Pressure Characteristics

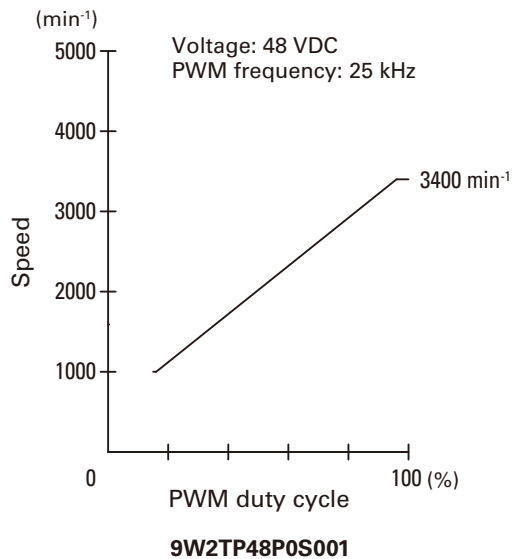
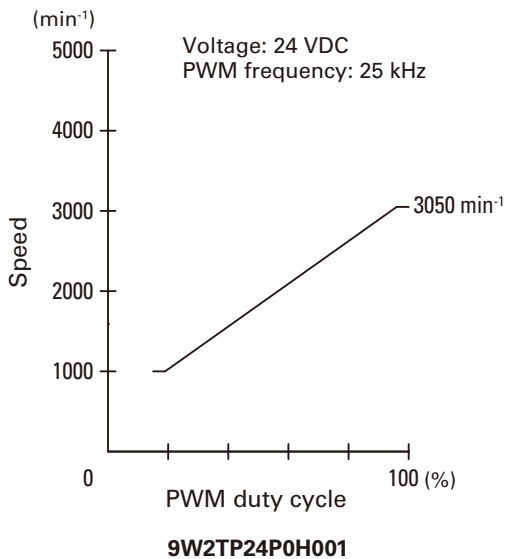
- PWM duty cycle



- Operating voltage range

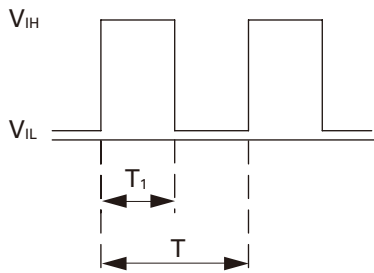


PWM Duty - Speed Characteristics Example



PWM Input Signal Example

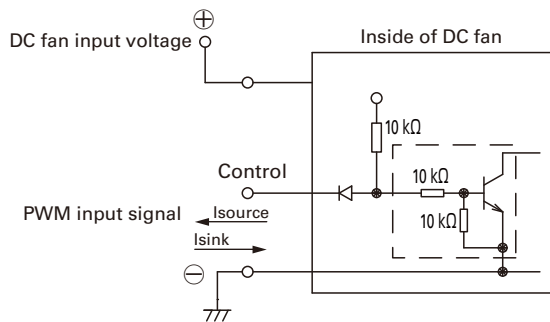
Input signal waveform



$V_{IH} = 4.75 \text{ to } 5.25 \text{ V}$ $V_{IL} = 0 \text{ to } 0.4 \text{ V}$
 PWM duty cycle (%) = $\frac{T_1}{T} \times 100$ PWM frequency 25 (kHz) = $\frac{1}{T}$
 Current source (I_{source}) = 1 mA max. (when control voltage is 0 V)
 Current sink (I_{sink}) = 1 mA max. (when control voltage is 5.25 V)
 Control terminal voltage = 5.25 V max. (when control terminal is open)

When the control terminal is open,
 fan speed is the same as when PWM duty cycle is 100%.
 Either TTL input, open collector or open drain can be used for
 PWM control input signal.

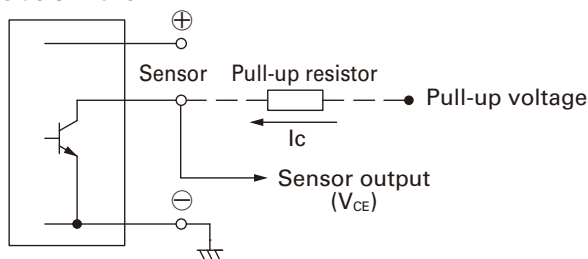
Example of Connection Schematic



Specifications for Pulse Sensors

Output circuit: Open collector

Inside of DC fan



Rated Voltage 24 V Fan

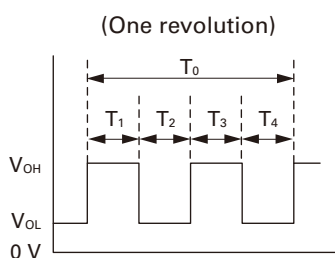
$V_{CE} = +36 \text{ V max.}$
 $I_c = 10 \text{ mA max. [} V_{OL} = V_{CE} \text{ (SAT)} = 1 \text{ V max.]}$

Rated Voltage 48 V Fan

$V_{CE} = +72 \text{ V max.}$
 $I_c = 10 \text{ mA max. [} V_{OL} = V_{CE} \text{ (SAT)} = 1 \text{ V max.]}$

Output waveform (Need pull-up resistor)

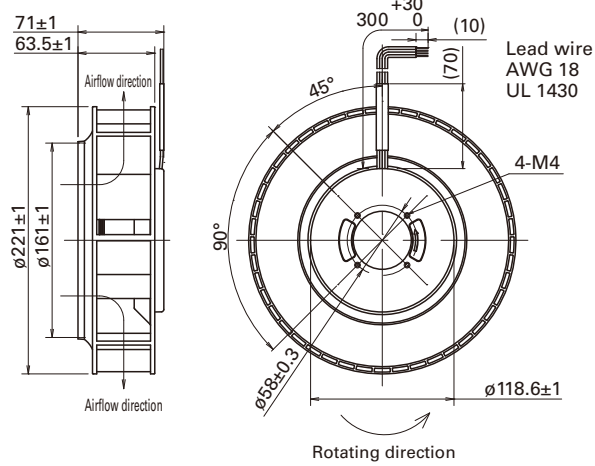
In case of steady running



$T_{1 \text{ to } 4} \doteq (1/4) T_0$
 $T_{1 \text{ to } 4} \doteq (1/4) T_0 = 60/4N \text{ (s)}$
 $N = \text{Fan speed (min}^{-1}\text{)}$

Dimensions (unit: mm)

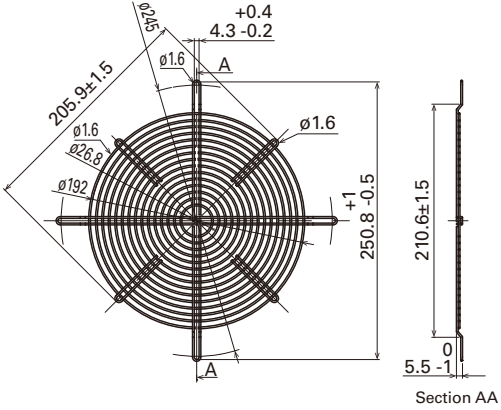
Fan



Finger guard (Model: 109-1138H)

Surface treatment: Cation electropainting (black)

Mass: 105 g



Inlet nozzle

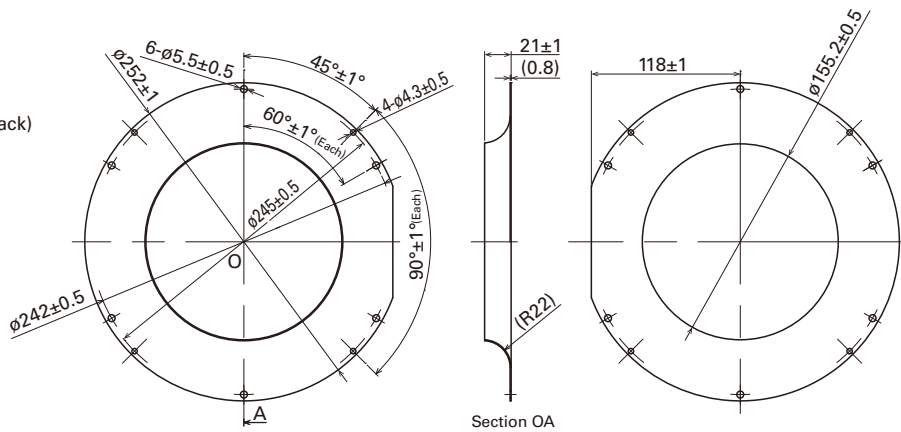
(Model: 109-1135H)

Material: Steel sheet

Surface treatment:

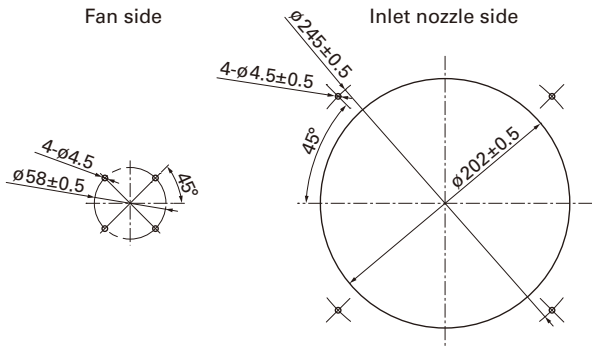
Cation electropainting (black)

Mass: 230 g

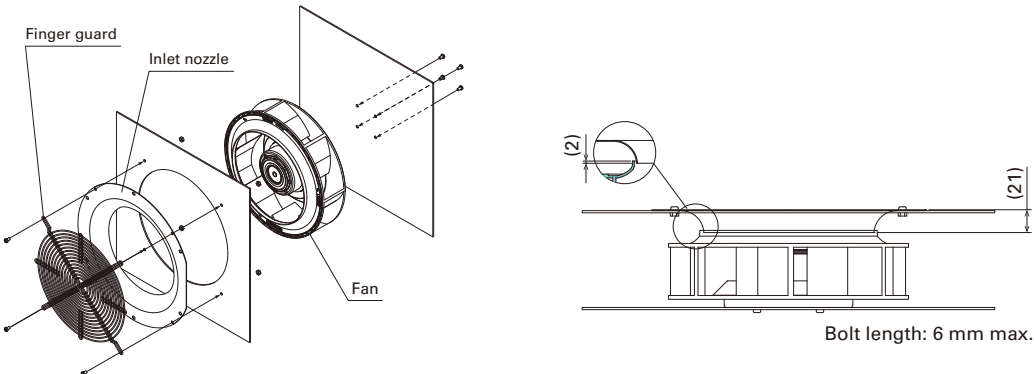


Inlet nozzle: Nozzle mounted in fan inlet side to adjust the flow of introduced air

Reference Dimensions of Mounting Holes and Vent Opening (unit: mm)



Reference Diagram for Mounting



Notice

- Please read the "Safety Precautions" on our website before using the product.
- The products shown in this catalog are subject to Japanese Export Control Law. Diversion contrary to the law of exporting country is prohibited.
- For protecting fan bearings against electrolytic corrosion near strong electromagnetic noise sources, we provide effective countermeasures such as Electrolytic Corrosion Proof Fans and EMC guards. Contact us for details.

SANYO DENKI CO.,LTD. 3-33-1, Minami-Otsuka, Toshima-ku, Tokyo 170-8451, Japan TEL: +81 3 5927 1020

<https://www.sanyodenki.com>

The names of companies and/or their products specified in this catalog are the trade names, and/or trademarks and/or registered trademarks of such respective companies. "San Ace" is a trademark of SANYO DENKI CO.,LTD.

Specifications are subject to change without notice.

CATALOG No. C1071B001 '17.7